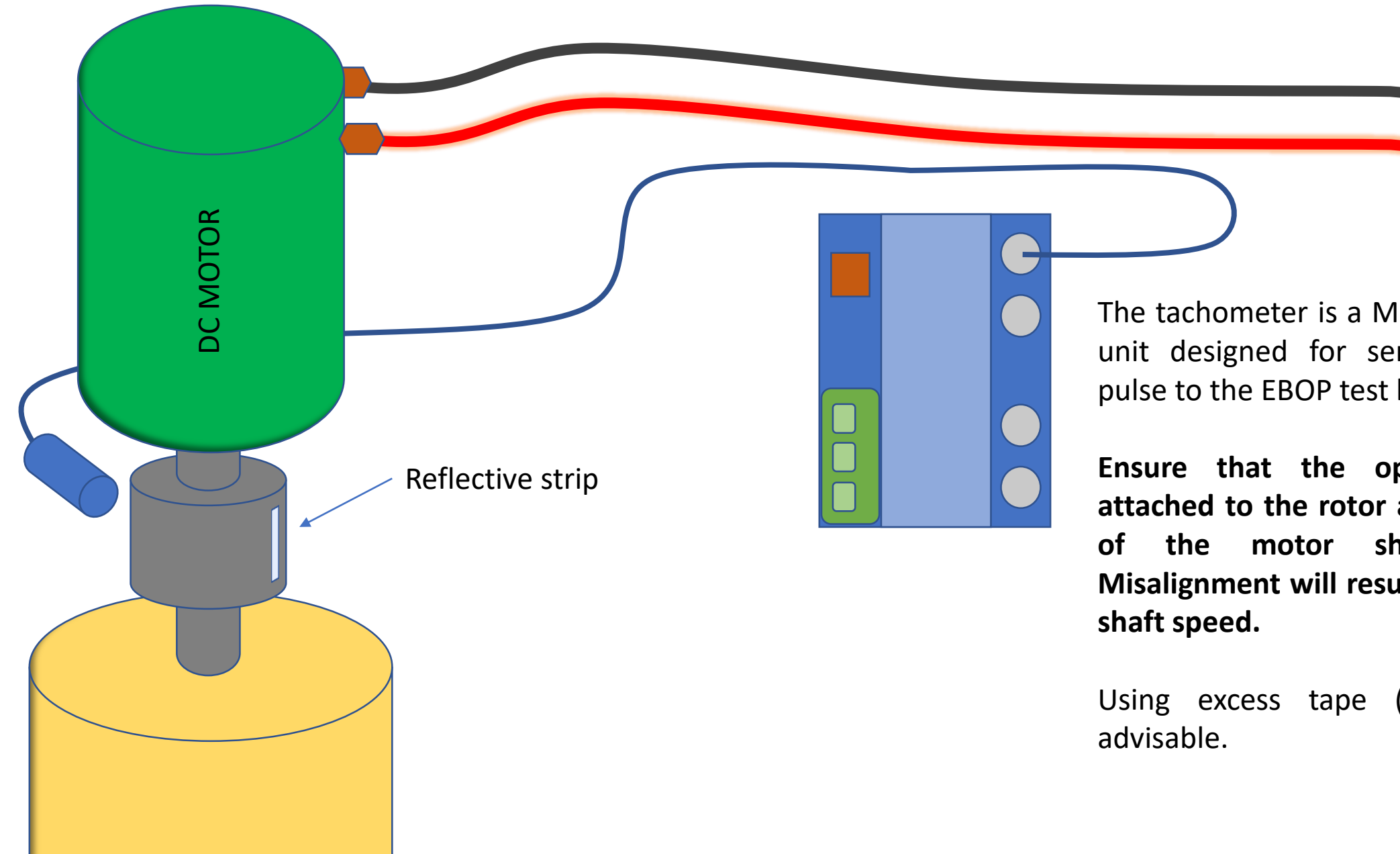


EBOP Test Kit

Quick Start Guide



EBOP test kit – Tachometer



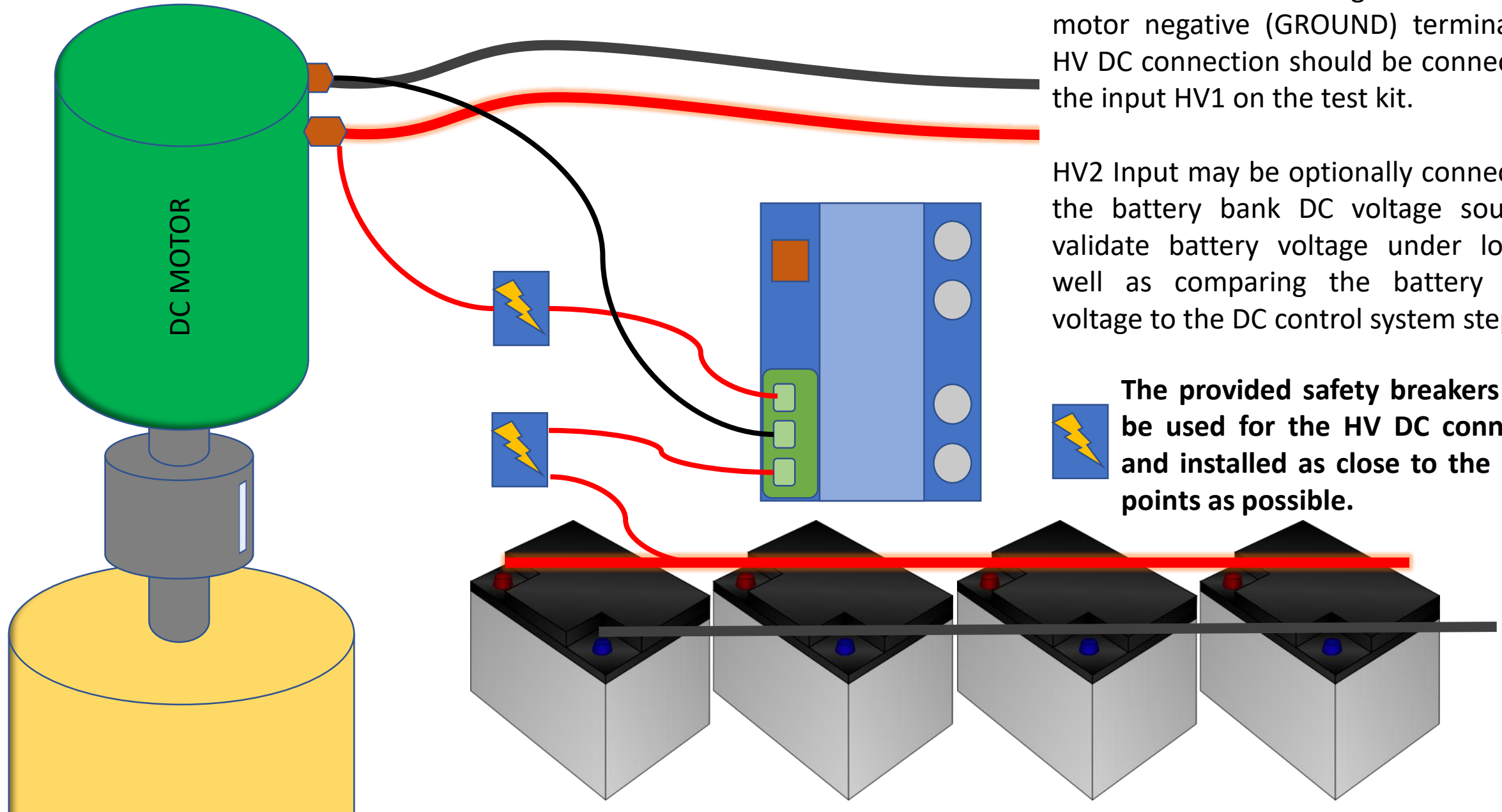
Reflective strip

The tachometer is a Monarch Instruments unit designed for sending a frequency pulse to the EBOP test kit.

Ensure that the optical reflector is attached to the rotor along a visible part of the motor shaft or coupler. Misalignment will result in failure to read shaft speed.


Using excess tape (long reflector) is advisable.

EBOP test kit – High Voltage DC

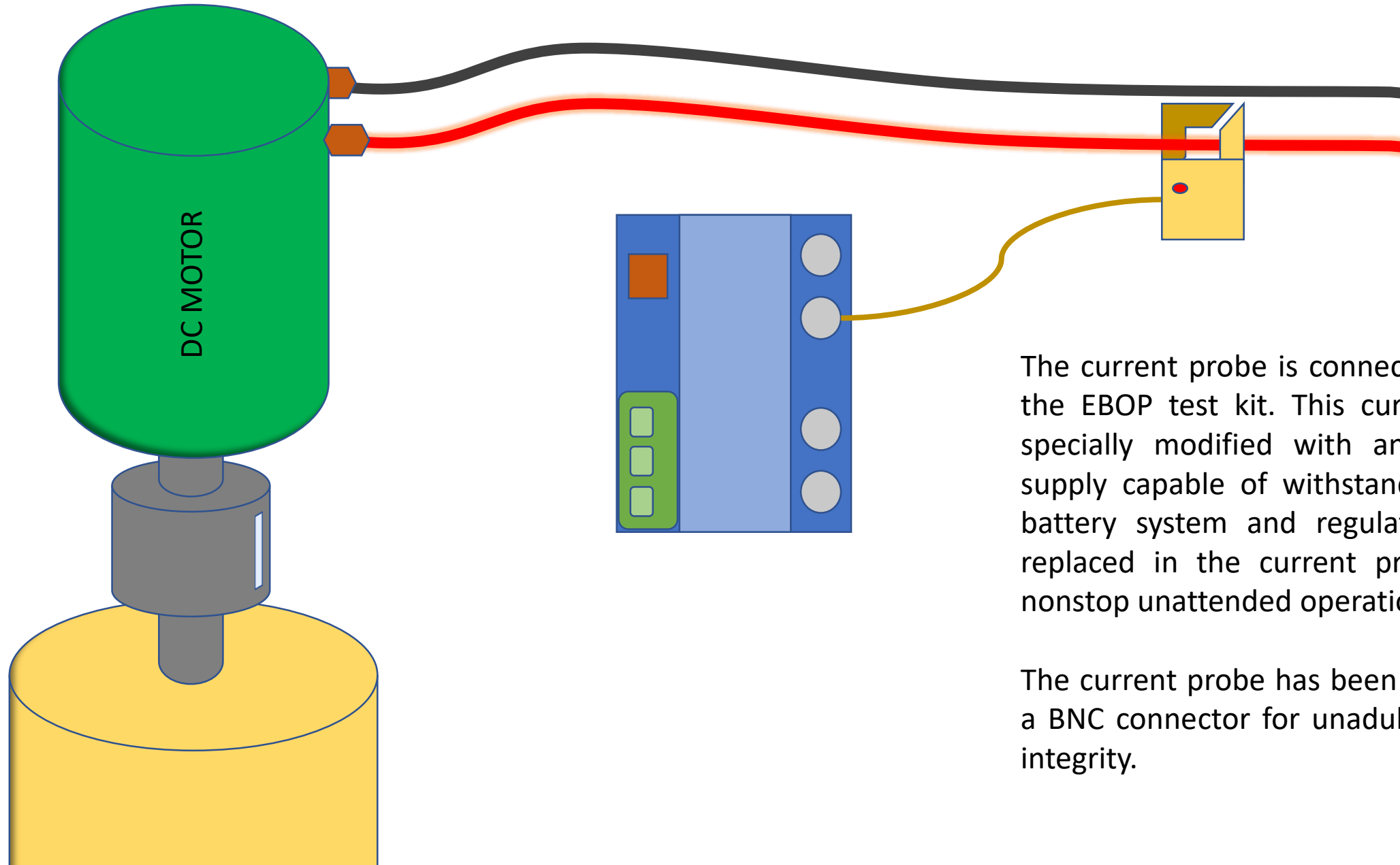


Connect the common ground to the DC motor negative (GROUND) terminal. The HV DC connection should be connected to the input HV1 on the test kit.

HV2 Input may be optionally connected to the battery bank DC voltage source to validate battery voltage under load, as well as comparing the battery supply voltage to the DC control system steps.

 The provided safety breakers should be used for the HV DC connections and installed as close to the contact points as possible.

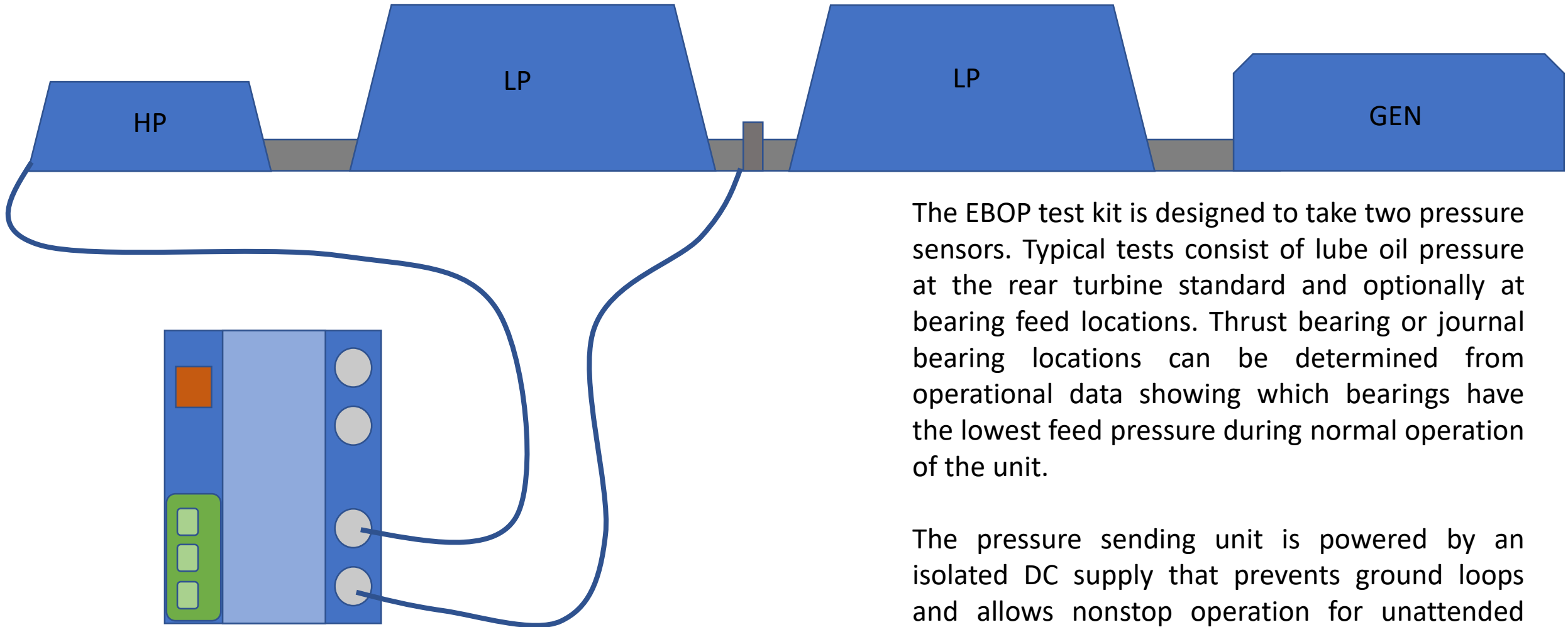
EBOP test kit – Current Probe



The current probe is connected to LV3 on the EBOP test kit. This current probe is specially modified with an isolated DC supply capable of withstanding 4kV. The battery system and regulator has been replaced in the current probe to allow nonstop unattended operation.

The current probe has been supplied with a BNC connector for unadulterated signal integrity.

EBOP test kit – Pressure



The EBOP test kit is designed to take two pressure sensors. Typical tests consist of lube oil pressure at the rear turbine standard and optionally at bearing feed locations. Thrust bearing or journal bearing locations can be determined from operational data showing which bearings have the lowest feed pressure during normal operation of the unit.

The pressure sending unit is powered by an isolated DC supply that prevents ground loops and allows nonstop operation for unattended recording. The pressure sensor has been supplied with a BNC connector for unadulterated signal integrity.

EBOP test kit – USB

The supplied laptop is easy to connect to the EBOP test kit. The test kit is plug and play with a USB connection.

The Plotting GUI software saves the data from the EBOP test kit effortlessly and continuously. **The kit is made to be easy.**



- No parameters to forget or enter incorrectly.
- No issues with signal saturation or data range.
- Data is recorded the second the DAQ is started.
- Plotting and transferring data is easy with FREE software that can export PDF, png, and CSV files of raw data.

